



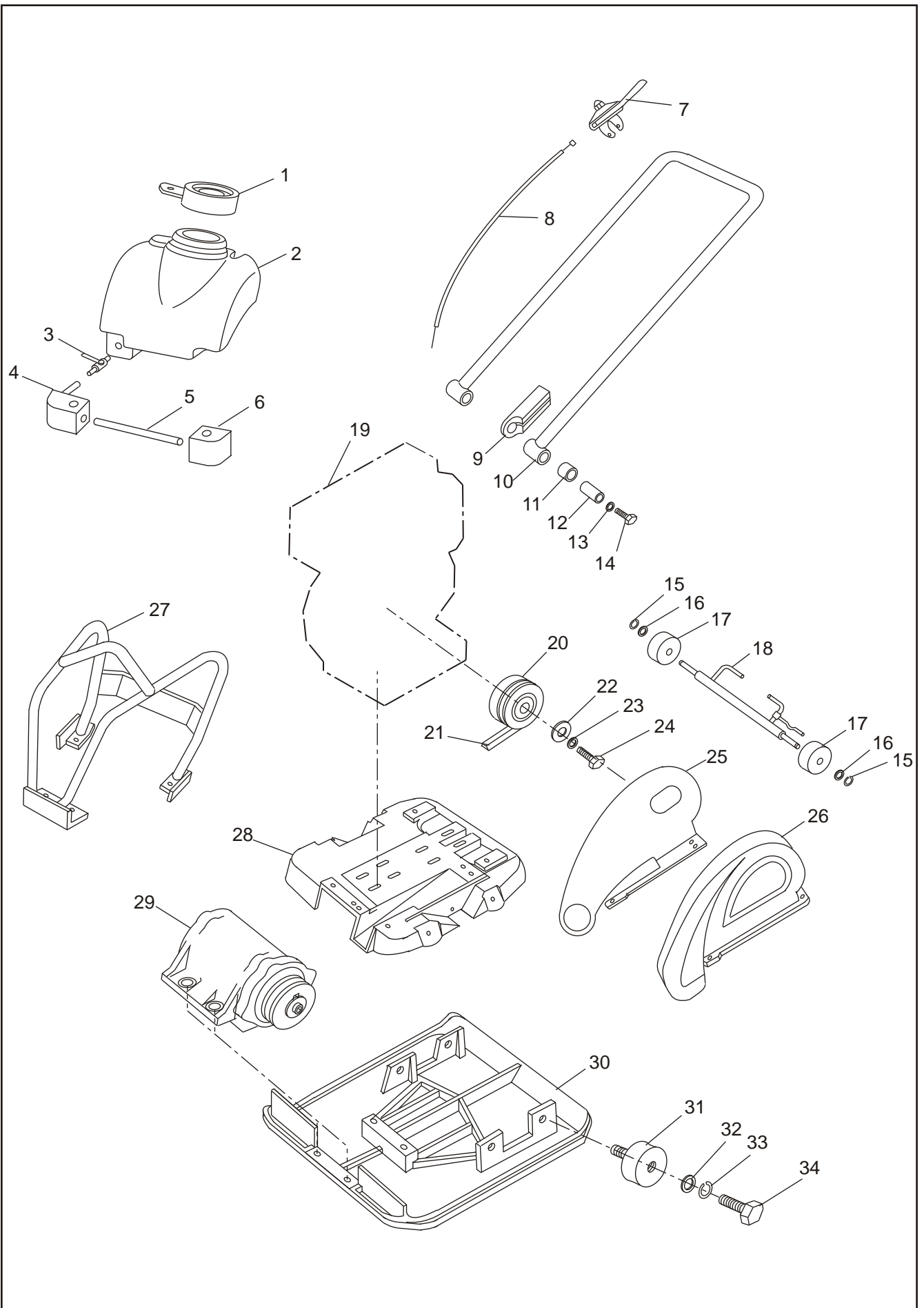
Breakdown and Part list
Schéma et le liste de pièce

Vibratory Plate / Plaque vibrante
(VP83)



Tel.: 1-877-405-2626, Fax: 1-877-405-8686
web site: www.cm-equip.com
e-mail: info@cm-equip.com

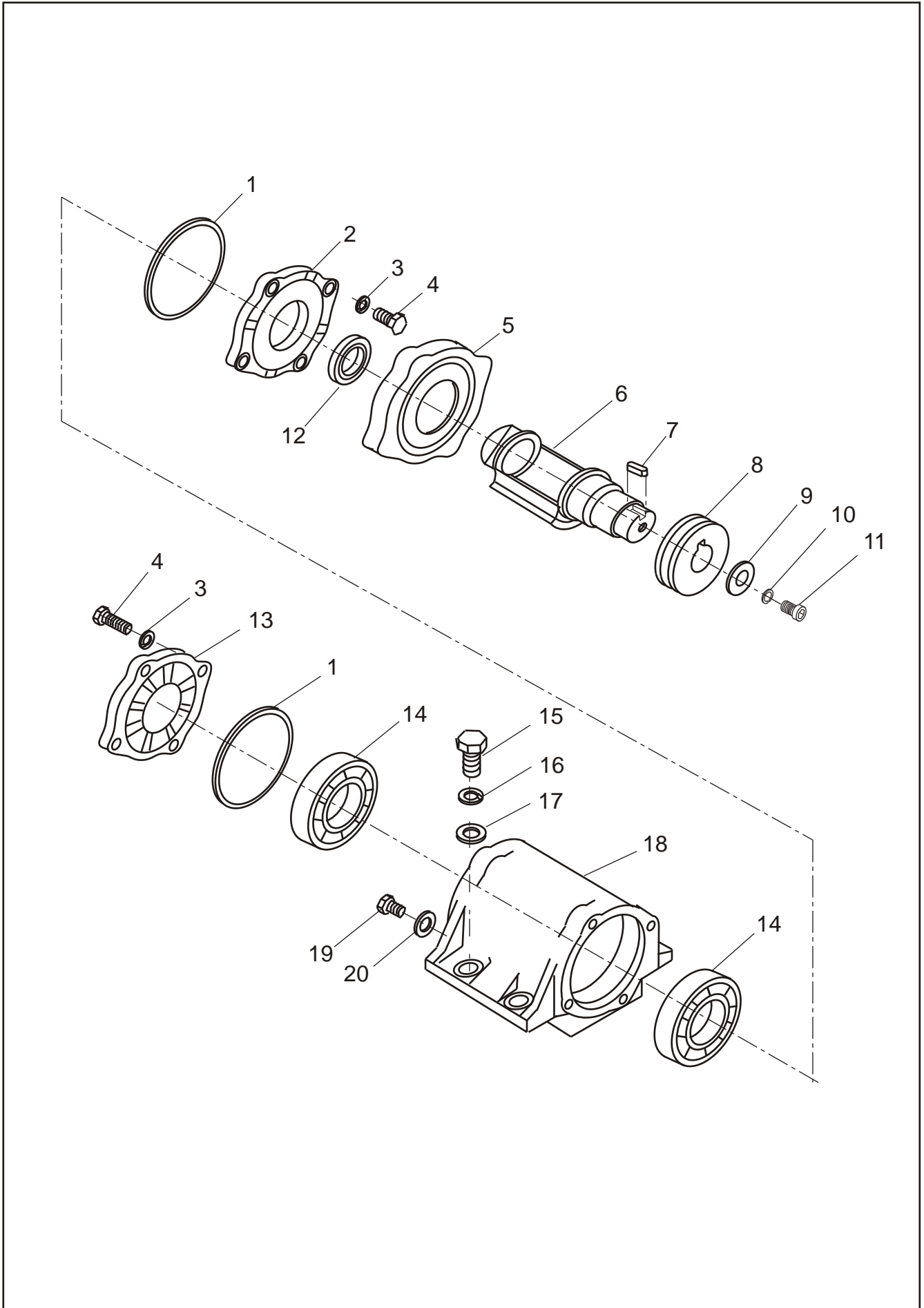
Vp83 Major Components



VP83 Major Components

No.	Part
VP83-01	CaP, water tank
VP83-02	Water tank
VP83-03	Cock, PT1/4
VP83-04	PiPe holder (L)
VP83-05	SPrinkling PiPe
VP83-06	PiPe holder(R)
VP83-07	Throttle lever
VP83-08	Dragline
VP83-09	Shock absorber, handle
VP83-10	Handle
VP83-11	Rubber
VP83-12	Rubber couPling
VP83-13	Washer, Plate 12.5X40X2.5
VP83-14	Hexagonal bolt M12x65
VP83-15	StoP ring M14
VP83-16	Washer, Plate M14
VP83-17	Wheel, nylon 14.5x95x40
VP83-18	SuPPort , wheel
VP83-19	Engine
VP83-20	Clutch assembly
VP83-21	V-belt 838
VP83-22	Washer, Plate 8.5x32x2.5
VP83-23	Washer,lock M8
VP83-24	Hexagonal bolt M8X25
VP83-25	Belt cover , in.
VP83-26	Belt cover
VP83-27	Guard hook
VP83-28	Base
VP83-29	Vibrator assembly
VP83-30	Vibrating Plate
VP83-31	Shock absorber
VP83-32	Washer, Plate M10
VP83-33	Washer, lock M10
VP83-34	Hexagonal bolt M10x40
VP83-35	Engine Pulley

VP83 Vibrator assembly



VP83 Major Components

No.	Parts
VP83-v01	Packing
VP83-v02	Case cover/pulley
VP83-v03	Washer, lock M8
VP83-v04	Hexagonal bolt M8x25
VP83-v05	Cover seal, vibrator
VP83-v06	Ecc. Rotary shaft
VP83-v07	Key 8x7x18
VP83-v08	Pulley, driven
VP83-v09	Washer, 11x40x2.5
VP83-v10	Washer, lock M10
VP83-v11	Hexagonal bolt M10x40
VP83-v12	Oil seal
VP83-v13	Case cover/shut-off
VP83-v14	Bearing 6211
VP83-v15	Hexagonal bolt M16x40
VP83-v16	Washer, lock M16
VP83-v17	Washer, plate M16
VP83-v18	Vibrating case
VP83-v19	Plug, oil M12x1.25x20
VP83-v20	Washer, copper M12