



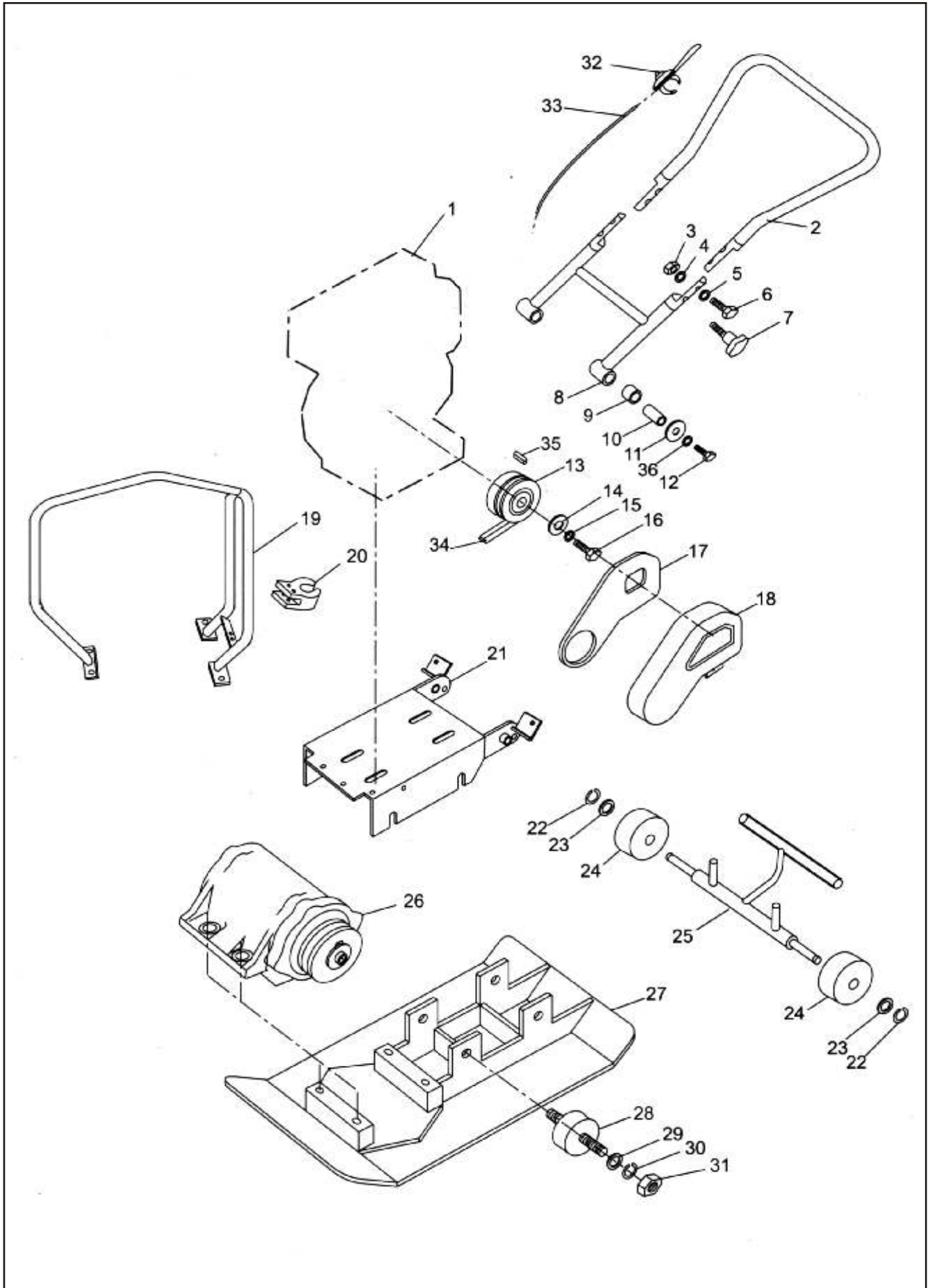
Breakdown and Part list
Schéma et le liste de pièce

Vibratory Plate / Plaque vibrante
(VP64)



Tel.: 1-877-405-2626, Fax: 1-877-405-8686
web site: www.cm-equip.com
e-mail: info@cm-equip.com

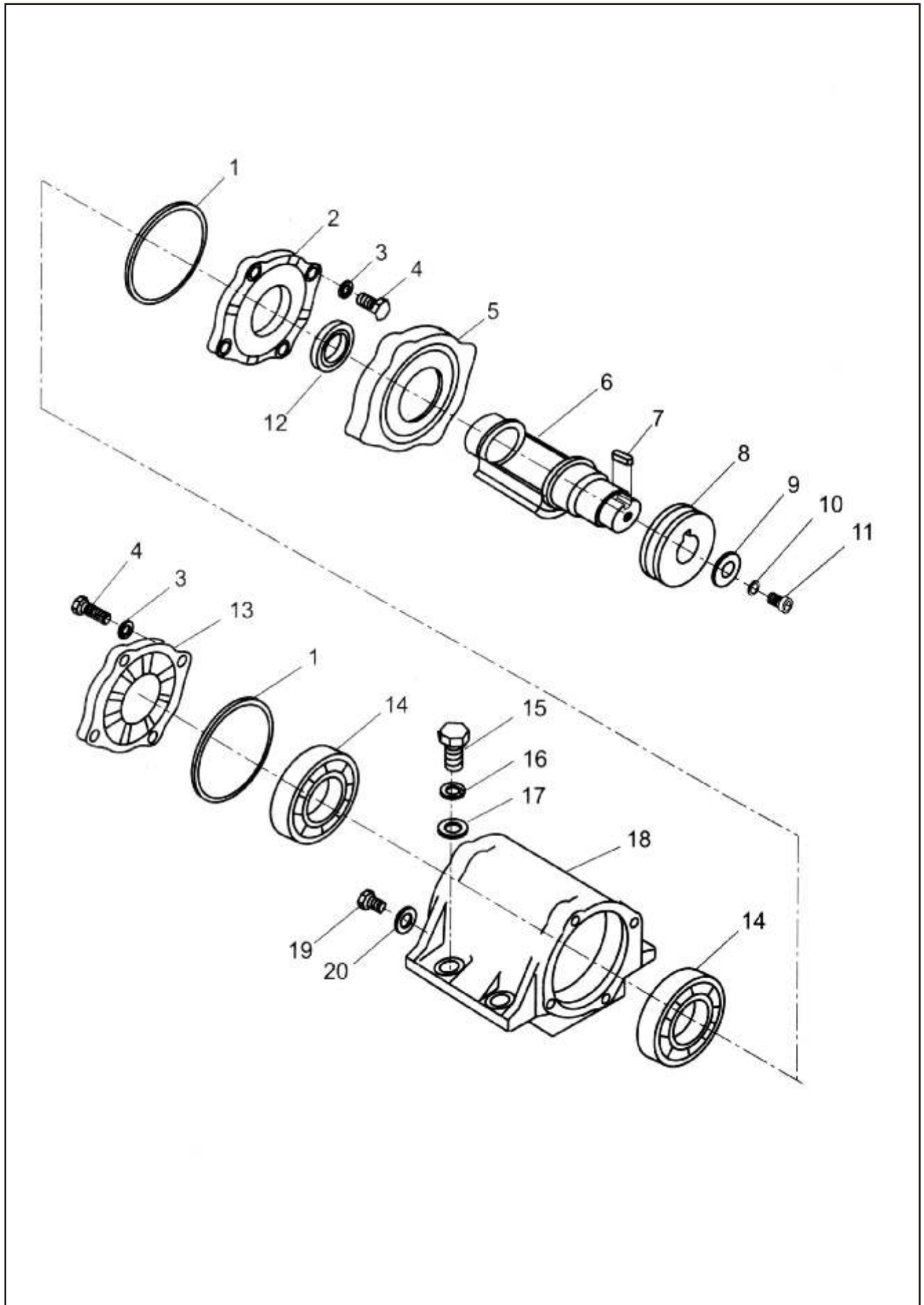
VP64 Major Components



VP64 Major Components

No.	Part
VP64-01	Engine,Honda GX160
VP64-02	Handle
VP64-03	Nut M10
VP64-04	Washer,plat M10
VP64-05	Washer,lock M10
VP64-06	Hexagonal bolt M10x30
VP64-07	Knob M10x25
VP64-08	Vib.proof handle
VP64-09	Rubber
VP64-10	Rubber coupling
VP64-11	Washer,plat 12.5x40x3
VP64-12	Hexagonal,bolt m2x65
VP64-13	Clutch assembly
VP64-14	Washer,plat 8.5x32x2.5
VP64-15	Washer,lock M8
VP64-16	Hexagonal bolt M8x25
VP64-17	Belt cover,in.
VP64-18	Belt cover
VP64-19	Guard hook
VP64-20	Holder,wheel
VP64-21	Base
VP64-22	Stop ring 14
VP64-23	Washer,plat M12
VP64-24	Wheel
VP64-25	Support,wheel
VP64-26	Vibrator assembly
VP64-27	Vibrating plate
VP64-28	Shock absorber
VP64-29	Washer,plat M10
VP64-30	Washer,lock M10
VP64-31	Nut M10
VP64-32	Throttle lever
VP64-33	Dragline
VP64-34	V-belt
VP64-35	Key,clutch assy 8x7x50
VP64-36	Washer,lock M12

VP64 Vibrator assembly



VP64 Vibrator assembly parts list

no.	Part
VP64-v01	Packing
VP64-v02	Case cover/Pulley
VP64-v03	Washer,lock M8
VP64-v04	Hexagonal bolt M8x25
VP64-v05	Cover seal,vib.
VP64-v06	Ecc.rotary shaft
VP64-v07	Key 8x7x18
VP64-v08	Pulley,driven
VP64-v09	Washer 11x40x2.5
VP64-v10	Washer,lock M10
VP64-v11	Hexagonal bolt M10x40
VP64-v12	Oil seal
VP64-v13	Case cover/shut-off
VP64-v14	Bearing 6211
VP64-v15	Hexagonal bolt M16x40
VP64-v16	Washer,lock M16
VP64-v17	Washer,Plat M16
VP64-v18	Vibrating case
VP64-v19	Plug,oil M12x1.25x20
VP64-v20	Washer,coPPer M12