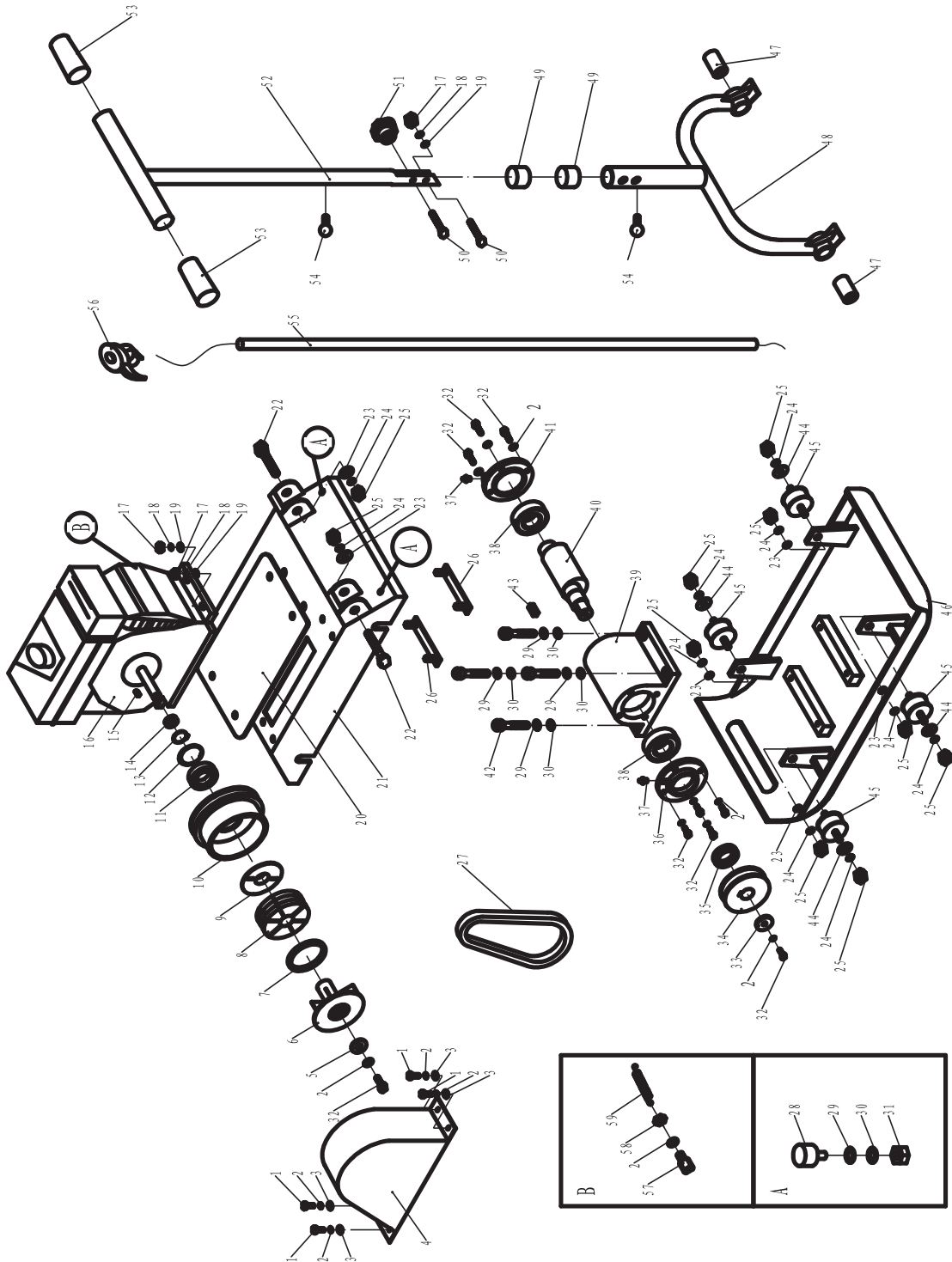


<b>PART NO.</b>	<b>Description</b>	<b>PART NO.</b>	<b>Description</b>
VP 40-01	Outer Hex Bolt M6*16	VP 40-31	Nut M10
VP 40-02	Spring Washer06	VP 40-32	Outer Hex Bolt M6X20
VP 40-03	Flat Washer 06	VP 40-33	Padding Plate
VP 40-04	Pulley Cover	VP 40-34	Driven Pulley
VP 40-05	Big Washer 06	VP 40-35	Oil Seal 45x28x7
VP 40-06	Impeller	VP 40-36	Cover
VP 40-07	Spring	VP 40-37	Grease Port M6X1
VP 40-08	Idle Block	VP 40-38	Bearing 6206
VP 40-09	Shield Plate	VP 40-39	Spindle Sleeve
VP 40-10	Driving Pulley	VP 40-40	Eccentric Shaft
VP 40-11	Bearing 6006	VP 40-41	End Cap
VP 40-12	Hole Circlip 055	VP 40-42	Inner Hex Screw M10X30
VP 40-13	Spindle Circlip 030	VP 40-43	Flat Key 8X20
VP 40-14	Block Ring	VP 40-44	Big Washer 012
VP 40-15	Flat Key 5X30	VP 40-45	Damping Block
VP 40-16	Engine	VP 40-46	Base Plate
VP 40-17	Nut M8	VP 40-47	Cushion Sleeve
VP 40-18	Spring Washer 08	VP 40-48	Assisting Handle
VP 40-19	Flat Washer 08	VP 40-49	Blocking Cover
VP 40-20	Washer	VP 40-50	Outer Hex Bolt M8X40
VP 40-21	Cover Plate	VP 40-51	Locking Handle
VP 40-22	Hex Bolt M12*65	VP 40-52	Control Handle
VP 40-23	Flat Washer 012	VP 40-53	Handle Grip
VP 40-24	Spring Washer 012	VP 40-54	Screw
VP 40-25	Nut M12	VP 40-55	Throttle
VP 40-26	Engine Fixing Plate	VP 40-56	Throttle Grip
VP 40-27	V-Belt A-630	VP 40-57	Throttle Block
VP 40-28	Cushion Block	VP 40-58	Nut M6
VP 40-29	Flat Washer 010	VP 40-59	Pull Spring
VP 40-30	Spring Washer 010		

# ASSEMBLY DIAGRAM



Note: Drawing is not to scale