



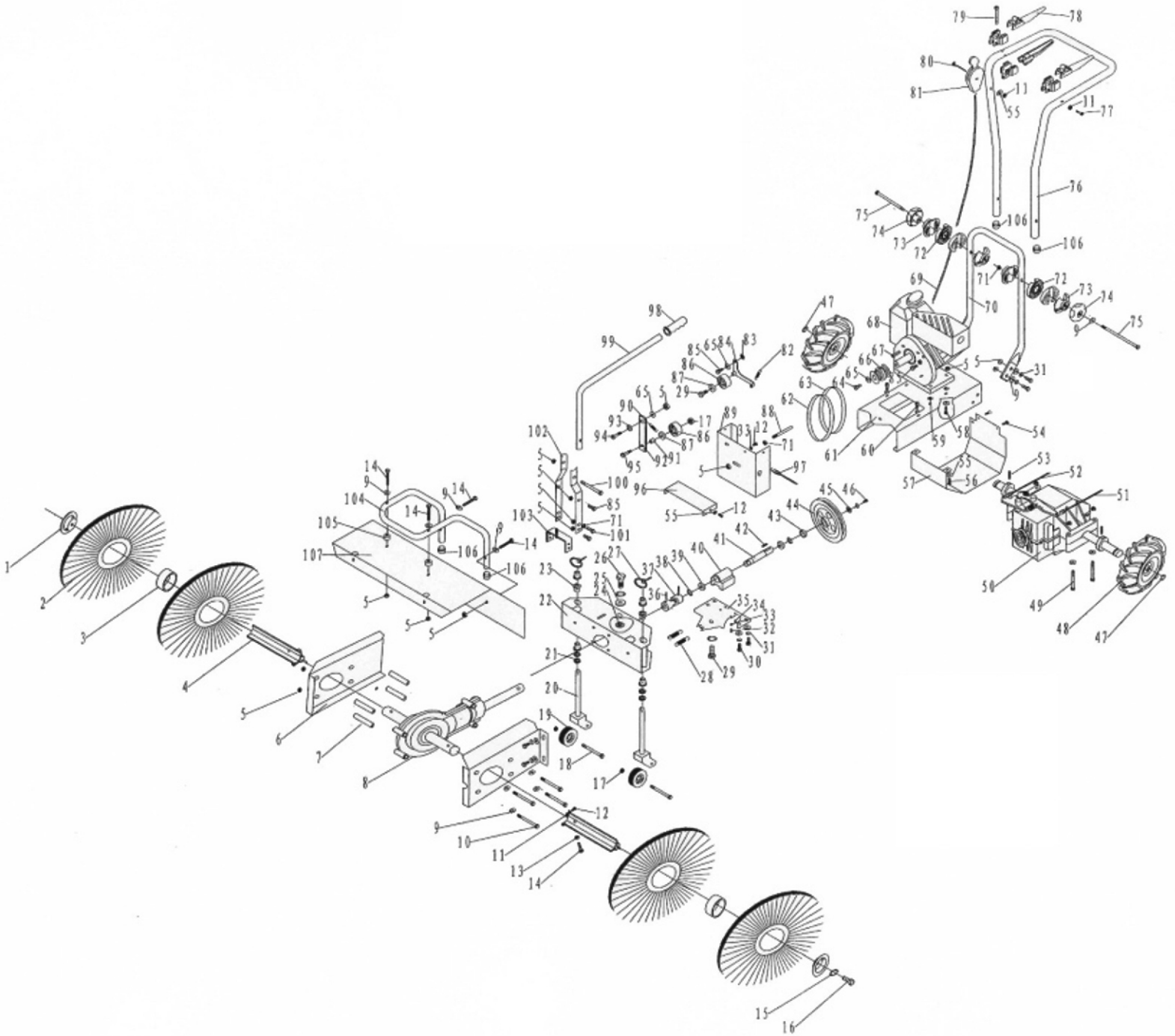
Breakdown and Part list
Schéma et le liste de pièce

Sweeper



Tel.: 1-877-405-2626, Fax: 877-405-8686
web site: www.cm-equip.com
e-mail: info@cm-equip.com

WRS-65



PART NO.	DESCRIPTION
SWEEPER 24/CM-01	BOTTOMBOWL
SWEEPER 24/CM-02	BRUSH STRAIGHT 350X3"
SWEEPER 24/CM-03	BRUSHING
SWEEPER 24/CM-04	BRUSH TUBE
SWEEPER 24/CM-05	USE 90100692
SWEEPER 24/CM-06	GEAR HOLDER RIGHT
SWEEPER 24/CM-07	BRUSHING
SWEEPER 24/CM-08	GEAR BOX I
SWEEPER 24/CM-09	FLAT WASHER 8
SWEEPER 24/CM-10	
SWEEPER 24/CM-11	NUT M6
SWEEPER 24/CM-12	BOLT M6X12
SWEEPER 24/CM-13	NUT M8
SWEEPER 24/CM-14	BOLT M8X45
SWEEPER 24/CM-15	WASHER 10
SWEEPER 24/CM-16	BOLT M10X55
SWEEPER 24/CM-17	NUT M10
SWEEPER 24/CM-18	BOLT M10X55
SWEEPER 24/CM-19	GUIDING WEEL
SWEEPER 24/CM-20	WEEL FORK
SWEEPER 24/CM-21	USE 90307950
SWEEPER 24/CM-22	SWING CONSOL
SWEEPER 24/CM-23	PLASTIC BUSHING
SWEEPER 24/CM-24	STEPWASHER —UPPER
SWEEPER 24/CM-25	FLATE WASHER 10
SWEEPER 24/CM-26	BOLT M10X30
SWEEPER 24/CM-27	CIRCLIPS
SWEEPER 24/CM-28	SWING SPRING
SWEEPER 24/CM-29	BOLT M10X20
SWEEPER 24/CM-30	BOLT M8X16
SWEEPER 24/CM-31	SPRING WASHER 8
SWEEPER 24/CM-32	BOLT M6X25
SWEEPER 24/CM-33	NUT M6
SWEEPER 24/CM-34	BOLT M6X16
SWEEPER 24/CM-35	BRACKET
SWEEPER 24/CM-36	ROUND PIN 5X40
SWEEPER 24/CM-37	MULTI JOINTS
SWEEPER 24/CM-38	SPPINDLE CIRCLIP
SWEEPER 24/CM-39	BEARING
SWEEPER 24/CM-40	BEARING HOUSE
SWEEPER 24/CM-41	TRANSMISSION SHAFT
SWEEPER 24/CM-42	FLAT KEY A5X20
SWEEPER 24/CM-43	BUSHING

PART NO.	DESCRIPTION
SWEEPER 24/CM-44	PULLEY
SWEEPER 24/CM-45	STEPWASHER
SWEEPER 24/CM-46	BOLT M8X20
SWEEPER 24/CM-47	SPPINDLE CIRCLIP
SWEEPER 24/CM-48	TYRE
SWEEPER 24/CM-49	BOLT M8X70
SWEEPER 24/CM-50	GEAR WALKER
SWEEPER 24/CM-51	CABLE REVERSE
SWEEPER 24/CM-52	CABLE FORWARD
SWEEPER 24/CM-53	ROUND PIN M8 X 45
SWEEPER 24/CM-54	SCREW M5X8
SWEEPER 24/CM-55	FLAT WASHER 6
SWEEPER 24/CM-56	BOLT M6X8
SWEEPER 24/CM-57	LOWER SCREEN 2005
SWEEPER 24/CM-58	BOLT M8X40
SWEEPER 24/CM-59	WASHER
SWEEPER 24/CM-60	SCREW M8X20
SWEEPER 24/CM-61	ENGINE BASE
SWEEPER 24/CM-62	BELT 1
SWEEPER 24/CM-63	BELT 2
SWEEPER 24/CM-64	BOLT 5/16"
SWEEPER 24/CM-65	WASHER
SWEEPER 24/CM-66	PULLEY
SWEEPER 24/CM-67	FLAT KEY B5X40
SWEEPER 24/CM-68	DRAWING UNDER "MOTOR"
SWEEPER 24/CM-69	CABLE THROTTLE
SWEEPER 24/CM-70	LOWER HANDLE
SWEEPER 24/CM-71	NUT M8
SWEEPER 24/CM-72	PLAST BRAKET
SWEEPER 24/CM-73	PLAST BRAKET
SWEEPER 24/CM-74	WING NUT
SWEEPER 24/CM-75	BOLT M8X100
SWEEPER 24/CM-76	UPPER HANDLE
SWEEPER 24/CM-77	SCREW M6X40
SWEEPER 24/CM-78	CLUTH HANDLE
SWEEPER 24/CM-79	SCREW M6X60
SWEEPER 24/CM-80	BOLT M6X60
SWEEPER 24/CM-81	THROTTLE CONTROL
SWEEPER 24/CM-82	SPRING
SWEEPER 24/CM-83	WASHER
SWEEPER 24/CM-84	BRACKET
SWEEPER 24/CM-85	FLAT WASHER
SWEEPER 24/CM-86	IDLE PULLY

PART NO.	DESCRIPTION
SWEEPER 24/CM-87	BEARING
SWEEPER 24/CM-88	SCREW
SWEEPER 24/CM-89	BELT BOX 2005
SWEEPER 24/CM-90	SPRING
SWEEPER 24/CM-91	BUSHING
SWEEPER 24/CM-92	BRACKET
SWEEPER 24/CM-93	WASHER
SWEEPER 24/CM-94	BOLT M8X25
SWEEPER 24/CM-95	BOLT M10X40
SWEEPER 24/CM-96	COVER BELT BOX
SWEEPER 24/CM-97	CLUTH CABLE
SWEEPER 24/CM-98	HANDLE GRIP
SWEEPER 24/CM-99	TURNTUBE SHORT
SWEEPER 24/CM-100	BOLT M8X50
SWEEPER 24/CM-101	BOLT M8X35
SWEEPER 24/CM-102	TURN BRACKET
SWEEPER 24/CM-103	CATCH BRACKET
SWEEPER 24/CM-104	COVER TUBE
SWEEPER 24/CM-105	BUSHING
SWEEPER 24/CM-106	PLASTIC PLUG
SWEEPER 24/CM-107	SWEEPER SCREEN
SWEEPER 24/CM-108	BRUSH CONE 350X3"