

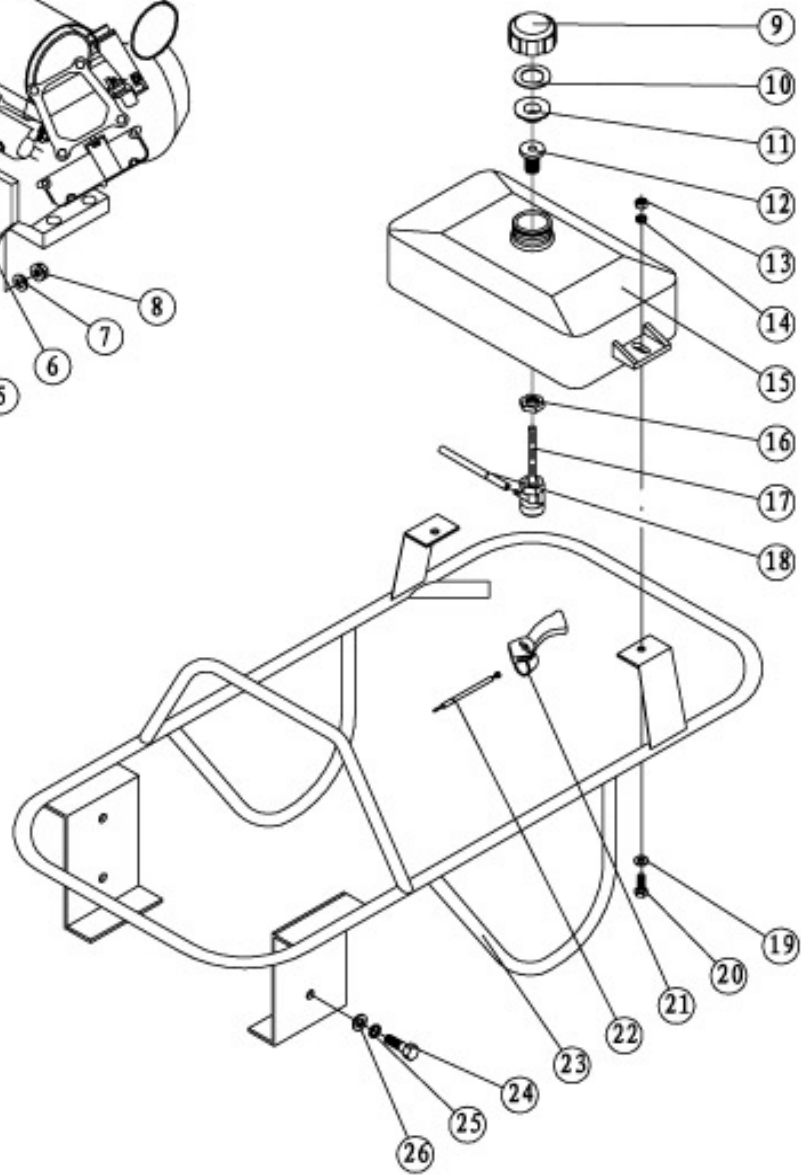
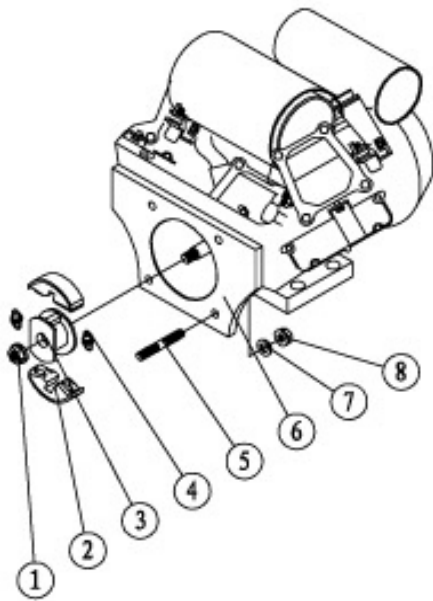


Breakdown and Part list
Schéma et le liste de pièce

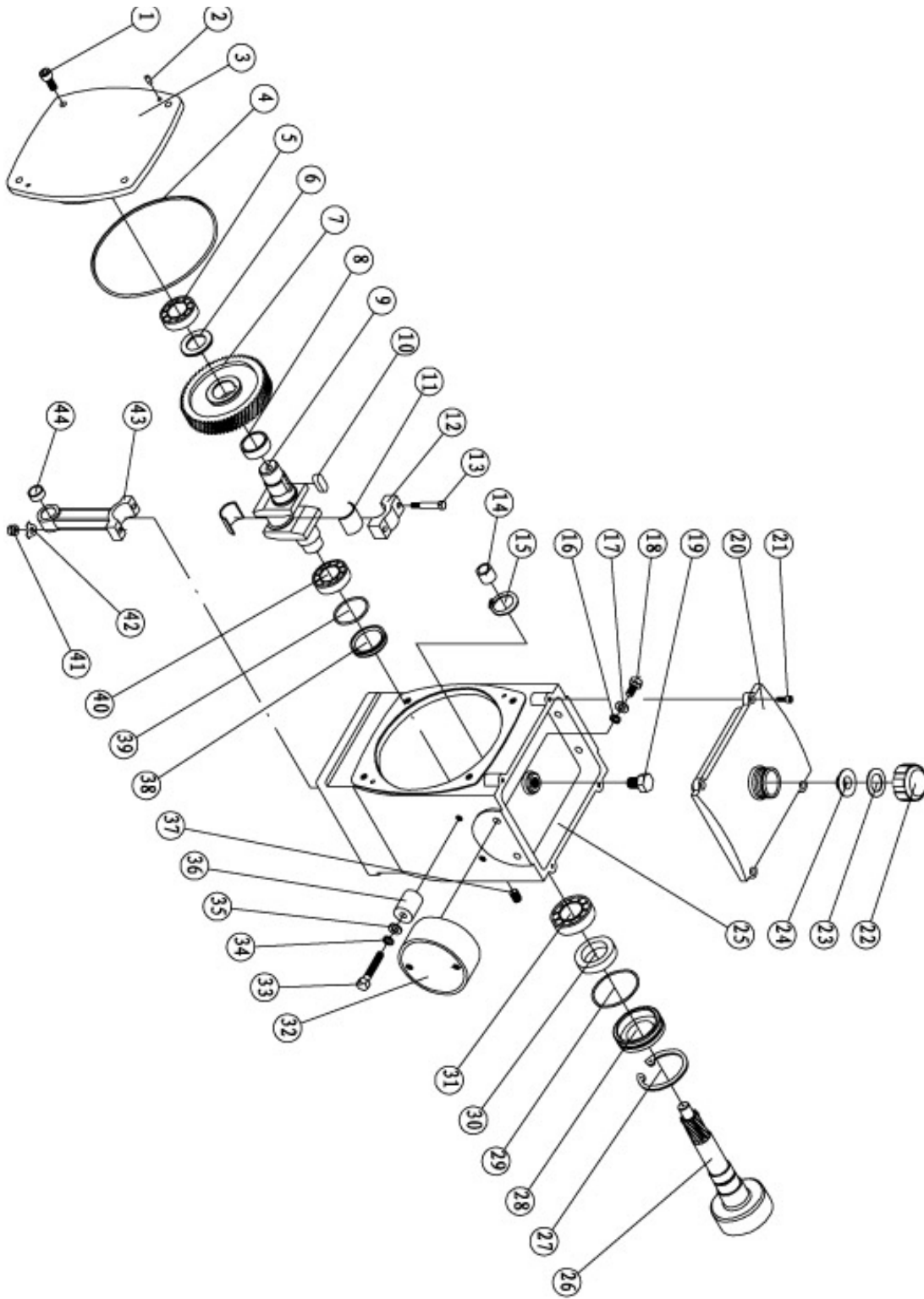
Rammer / Compacteur de sol
(Rm80)



Tel.: 1-877-405-2626, Fax: 1-877-405-8686
web site: www.cm-equip.com
e-mail: info@cm-equip.com



2. housing-crankcase



PART NO.	DESCRIPTION	PART NO.	DESCRIPTION
RM80-01	NUT-LOCK	RM80-HC01	M10*16 SCREW
RM80-02	CLUTCH (inc. 3&4)	RM80-HC02	6*12 PIN
RM80-03	CENTRIC	RM80-HC03	COVER
RM80-04	SPRING	RM80-HC04	200*3.5 O-RING
RM80-05	M10*65 SCREW	RM80-HC05	32006 BEARING
RM80-06	ENGINE	RM80-HC06	SPACER
RM80-07	GASKET	RM80-HC07	GEAR-CRANK
RM80-08	NUT	RM80-HC08	CRANK BUSHING
RM80-09	CAP-LUEL TANK	RM80-HC09	CRANK
RM80-10	GASKET-FUEL CAP	RM80-HC10	12*8*30 PIN
RM80-11	RUBBER WASHER	RM80-HC11	BUSHING
RM80-12	SCREW	RM80-HC12	BUSHING BASE
RM80-13	NUT	RM80-HC13	SCREW
RM80-14	WASHER	RM80-HC14	7942/17 BALL BEARING
RM80-15	FUEL TANK	RM80-HC15	A35 RETAINING RING
RM80-16	M16*1.5 NUT	RM80-HC16	WASHER
RM80-17	VALVE	RM80-HC17	GASKET
RM80-18	HOSE	RM80-HC18	M10*35 SCREW
RM80-19	GASKET	RM80-HC19	M16*1.5*16 SCREW
RM80-20	M8*25 SCREW	RM80-HC20	HEAD COVER
RM80-21	CONTROL-THROTTLE	RM80-HC21	M6*16 SCREW
RM80-22	CABLE	RM80-HC22	CAP-FUEL TANK
RM80-23	GUIDE HANDLE	RM80-HC23	GASKET
RM80-24	M10*30 SCREW	RM80-HC24	RUBBER GASKET
RM80-25	WASHER	RM80-HC25	HOUSING-CRANKCASE
RM80-26	GASKET	RM80-HC26	CLUTCH DRUM
		RM80-HC27	A75 RETAINING RING
		RM80-HC28	SEAL
		RM80-HC29	75*3.1 O-RING
		RM80-HC30	PD42*62*12 SEAL
		RM80-HC31	BALL-BEARING
		RM80-HC32	SHOCK-MOUNT
		RM80-HC33	M10*55 SCREW
		RM80-HC34	WASHER
		RM80-HC35	GASKET
		RM80-HC36	SHOCK MOUNT
		RM80-HC37	M12*16 SCREW
		RM80-HC38	RETAINING RING