



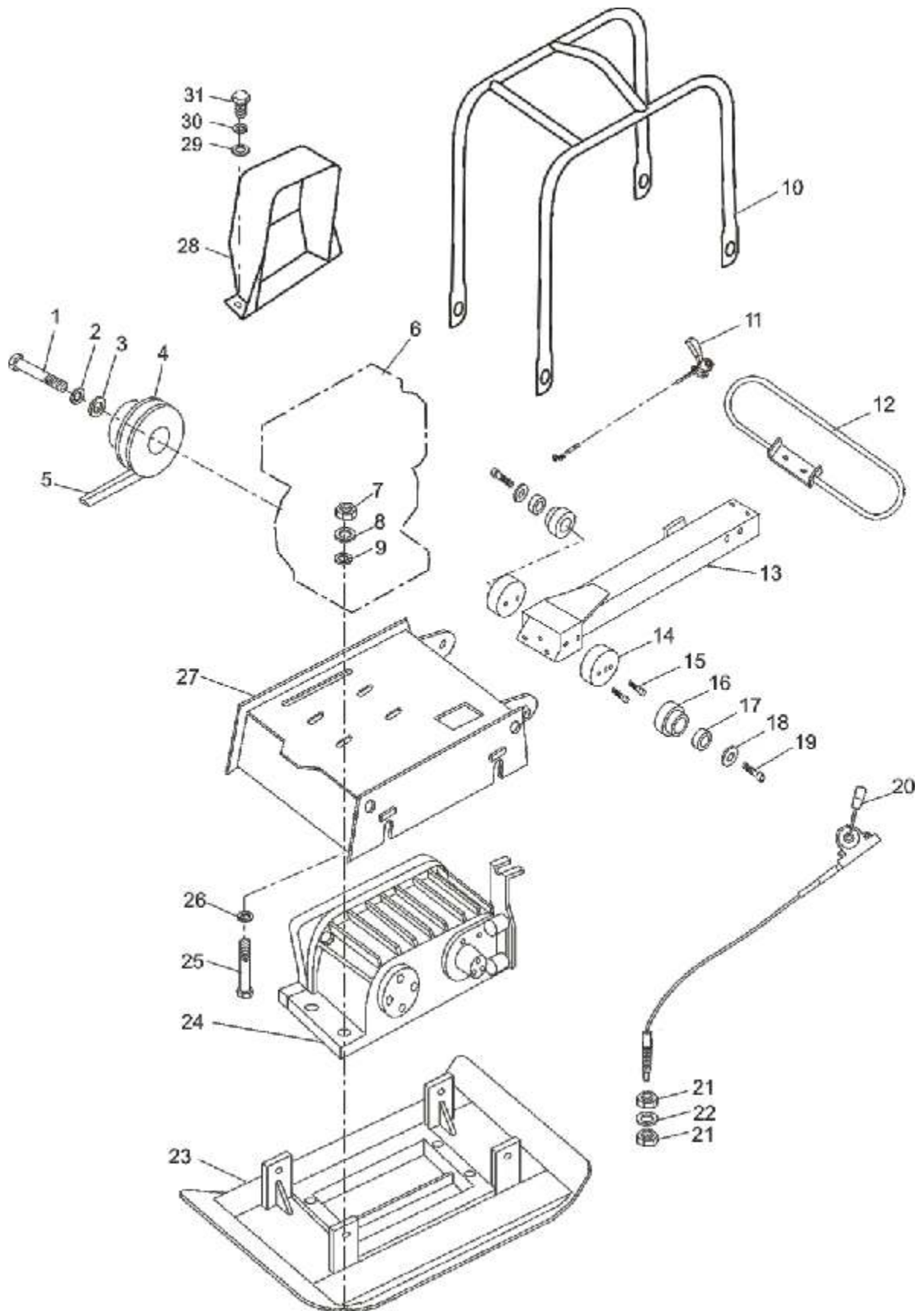
Breakdown and Part list
Schéma et le liste de pièce

Reversible Vibratory Plate / *Plaque vibrante réversible*
(RVP150)



Tel.: 1-877-405-2626, Fax: 1-877-405-8686
web site: www.cm-equip.com
e-mail: info@cm-equip.com

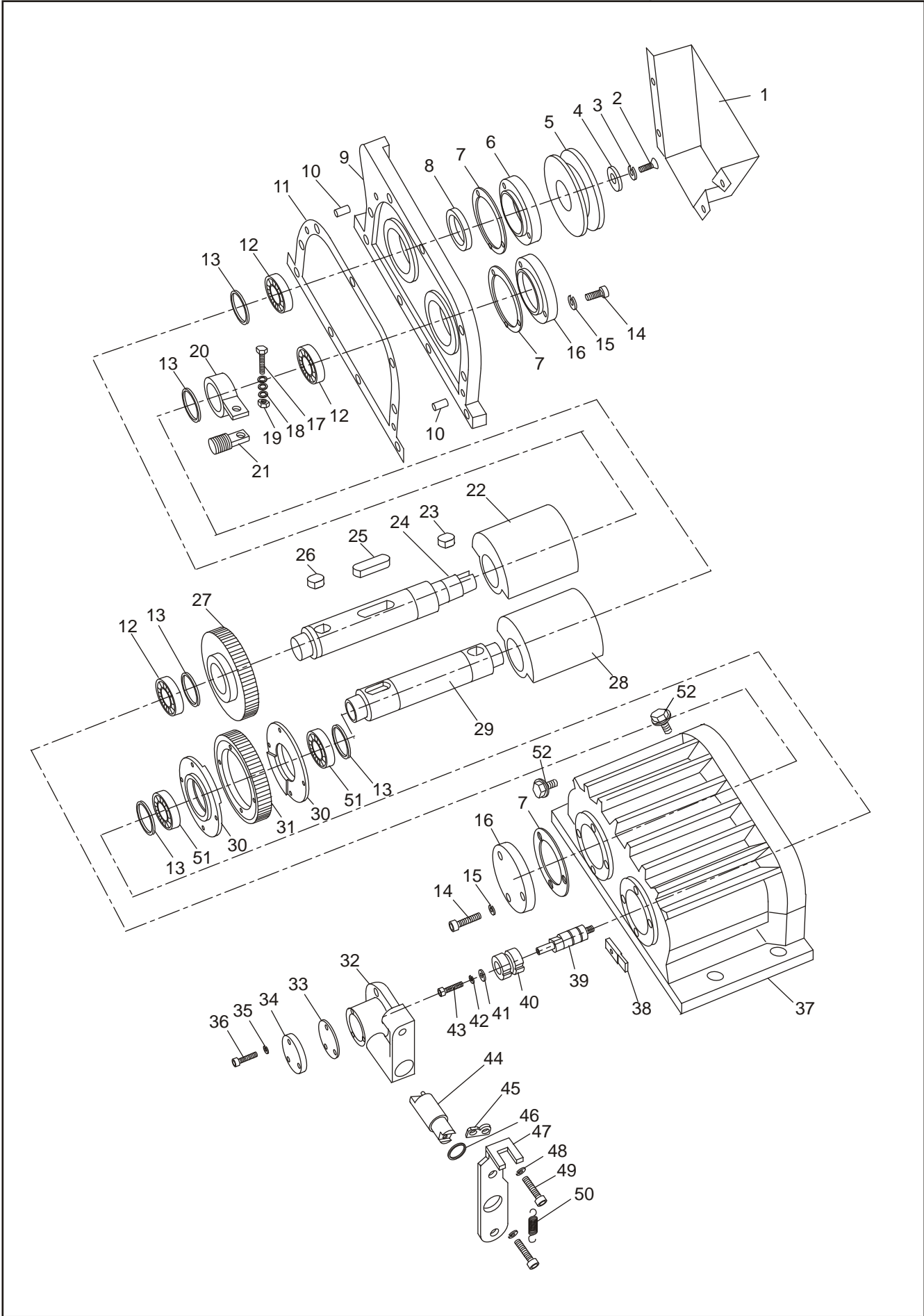
RVP150 Major Components



Part list of RVP150 Major Components

No.	parts
RVP150-01	Hexagonal bolt M8x25
RVP150-02	Washer, lock M8
RVP150-03	Washer, plat M8
RVP150-04	Clutch assembly
RVP150-05	v-belt
RVP150-06	Engine
RVP150-07	Nut M10
RVP150-08	Washer, lock M10
RVP150-09	Washer, plate M10
RVP150-10	Guard hook
RVP150-11	Throttle lever
RVP150-12	Grip
RVP150-13	Handle
RVP150-14	Shock absorber
RVP150-15	Hexagonal bolt M8x25
RVP150-16	Rubber coupling
RVP150-17	Rubber
RVP150-18	Washer, plate 12.5x40x2.5
RVP150-19	Hexagonal bolt M12x65
RVP150-20	Vibrator control
RVP150-21	Nut M14x1.5x7
RVP150-22	Washer,plat M14
RVP150-23	Vibrating plate
RVP150-24	Vibrator assembly
RVP150-25	Hexagonal bolt M10x45
RVP150-26	Washer,plat M10
RVP150-27	Base
RVP150-28	Belt cover(Upper)
RVP150-29	Washer,plat M8
RVP150-30	Washer,lock M8
RVP150-31	Hexagonal bolt M8x20
RVP150-32	Engine pulley

RVP150 Vibrator assembly



Part list of RVP150 vibrator

No.	Parts
RVP150-v01	Belt cover (blow)
RVP150-v02	Screw M8x25
RVP150-v03	Washer,lock M8
RVP150-v04	Washer,plat 8.5x32x2.5
RVP150-v05	Pulley,driven
RVP150-v06	Bearing cover/pulley
RVP150-v07	Packing
RVP150-v08	oil seal 28x50x10
RVP150-v09	Case cover
RVP150-v10	Stop dowel 8x35
RVP150-v11	Packing
RVP150-v12	Bearing 42206
RVP150-v13	Stop ring 42
RVP150-v14	Socket head bolt M6x20
RVP150-v15	Washer, lock M6
RVP150-v16	Bearing cover/shut-off
RVP150-v17	Hexagonal bolt M8x60
RVP150-v18	Spring washer M8
RVP150-v19	Nut M8
RVP150-v20	Stopper
RVP150-v21	Stop dowel M20x31-21
RVP150-v22	Eccentric rotator, drive
RVP150-v23	Key 8x7x25
RVP150-v24	Ecc.rotary shaft ,drive
RVP150-v25	Key 12x8x50
RVP150-v26	Key 12x8x20
RVP150-v27	Gear,drive
RVP150-v28	Eccentric rotator ,driven
RVP150-v29	Ecc.rotary shaft,driven
RVP150-v30	Dial plate(R/L)
RVP150-v31	Gear,driven
RVP150-v32	Cylinder
RVP150-v33	Packing
RVP150-v34	Cover,cylinder
RVP150-v35	Washer,lock M5
RVP150-v36	Socket head bolt M5x10
RVP150-v37	Vibrating case
RVP150-v38	Knock pin
RVP150-v39	Position rod
RVP150-v40	Groove
RVP150-v41	Washer, copper 5x32x2.5
RVP150-v42	Washer,lock M5
RVP150-v43	Socket head bolt M5x10
RVP150-v44	Rotator
RVP150-v45	Lever
RVP150-v46	O-ring
RVP150-v47	Holder
RVP150-v48	Washer,lock M10
RVP150-v49	Socket head bolt M10x30
RVP150-v50	Spring
RVP150-v51	Bearing 16008
RVP150-v52	Plug,oil M12x1.25x10