

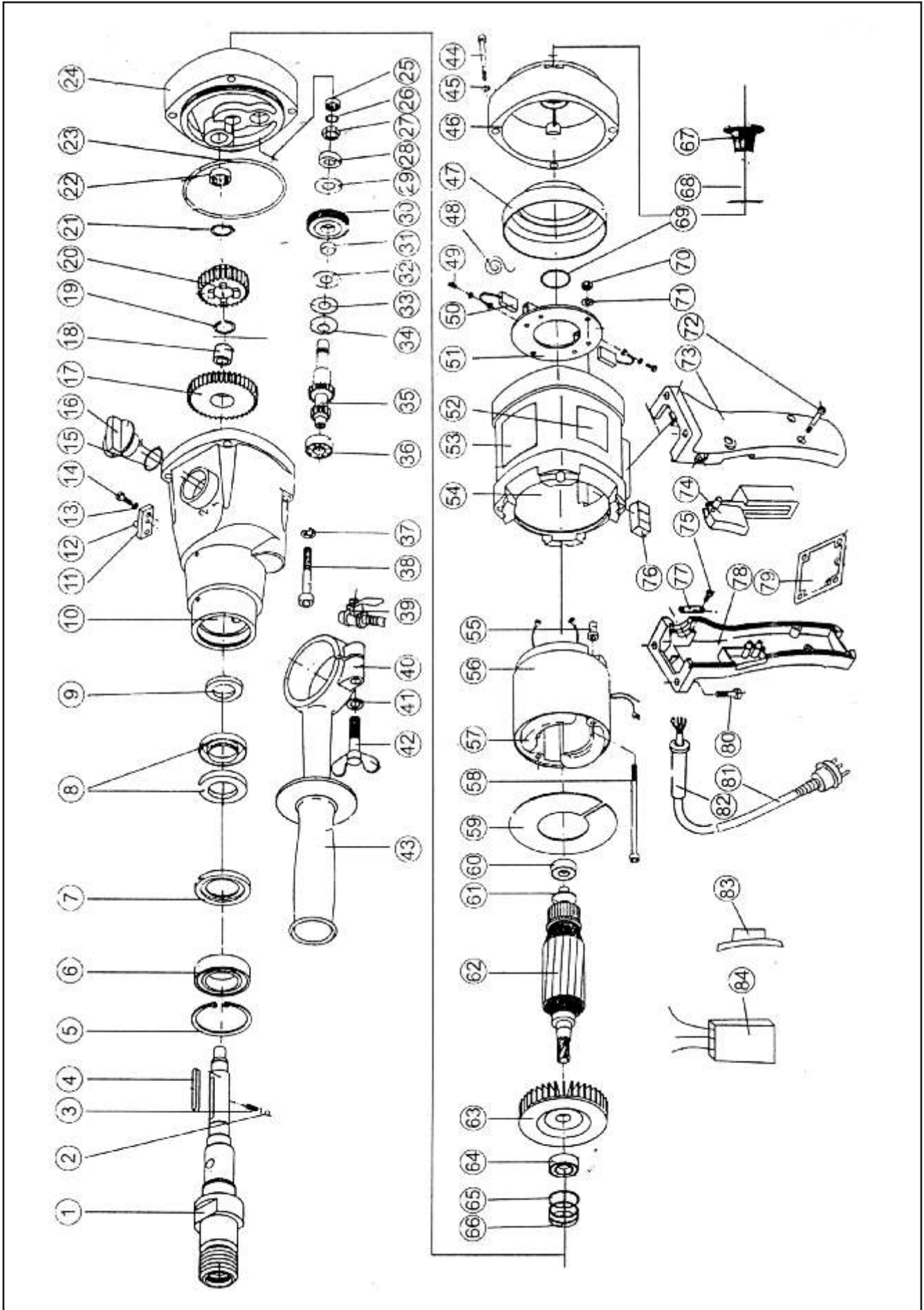


Breakdown and Part list *Schéma et le liste de pièce*

4" Core Drill / *Carotteuse 4"*
(CD04pt, CD04)



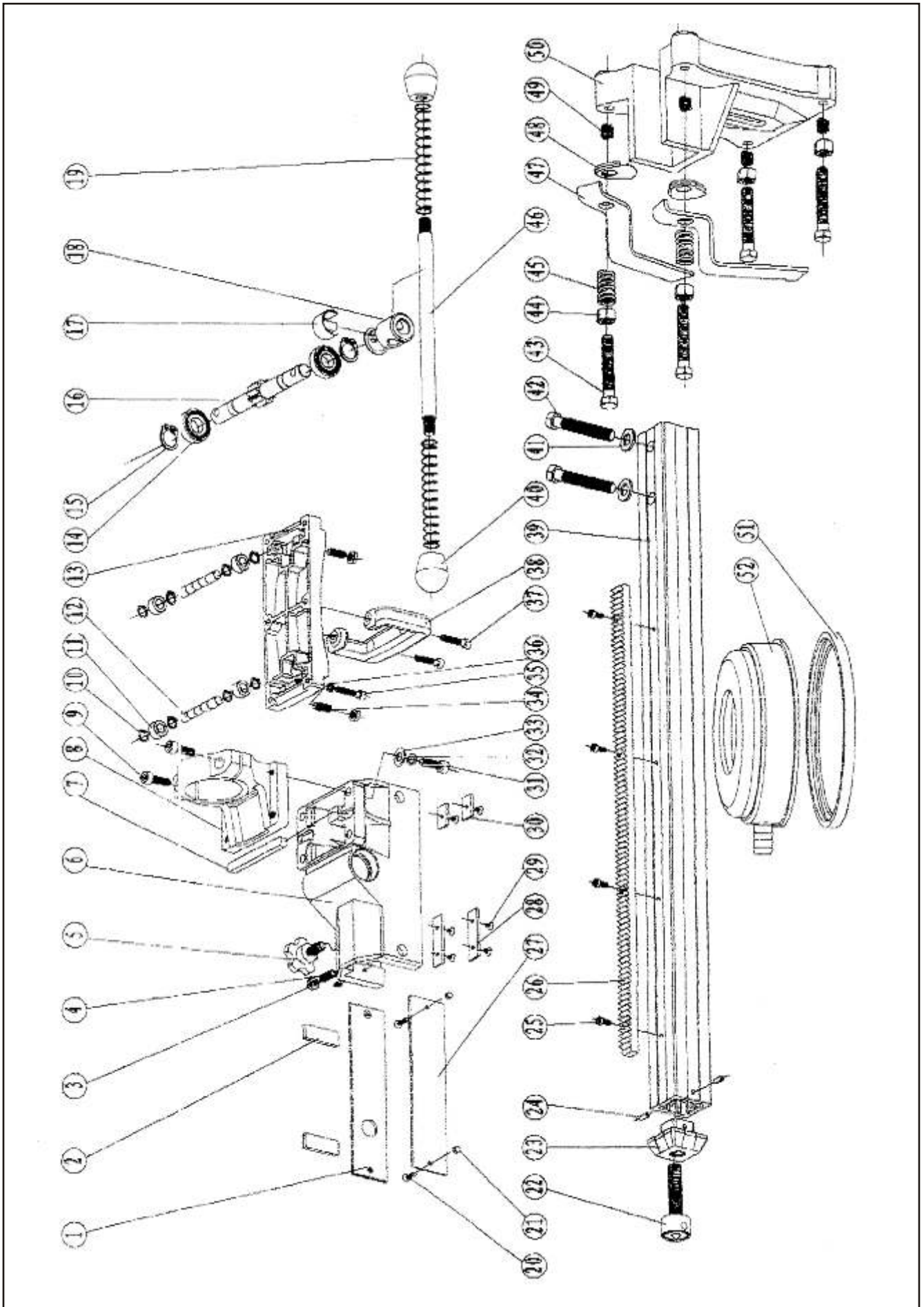
Tel.: 1-877-405-2626, Fax: 1-877-405-8686
Web Site: www.cm-equip.com
E-mail: info@cm-equip.com



Part No.	Description	Supply No.
CD04-01	Output shaft	02-80/001
CD04-02	Steel ball	!4
CD04-03	Small spring	02-80/050
CD04-04	Flat key	5x34x5
CD04-05	Spring shield ring for holes	!47x1.5
CD04-06	Ball bearing	186005R
CD04-07	Shim cover	02-80/041
CD04-08	Bracket rubber Sealing ring	FB25x40x7
CD04-09	Bracket rubber Sealing ring	FB20x35x7
CD04-10	Reducer casing	02-80/002
CD04-11	Adjustable speed knob	02-80/012
CD04-12	Round pin	!5x16
CD04-13	Spring washer	!5
CD04-14	Inner hexagonal round head bel	M5x12
CD04-15	O-shape sealing ring	
CD04-16	Adjustable speed knob	02-80/013
CD04-17	6# gear	02-80/006
CD04-18	Copper lining	02-80/006-1
CD04-19	Shield ring lor shaft	!18x1.6
CD04-20	4# gear	02-80/005
CD04-21	Shield ring for shaft	!18x1
CD04-22	Ouill bearing	HK1210
CD04-23	O—shape sealing ring	!78x2
CD04-24	Mid-cover	02-80/014
CD04-25	Ouill bearing	HK1010
CD04-26	Spacer	02-80/040
CD04-27	Round nut	02-80/011
CD04-28	Pressing ring	02-80/010
CD04-29	Friction shim	02-80/008
CD04-30	2 # gear	02-80/003
CD04-31	Cooper cover	02-80/007
CD04-32	Friction shim	02-80/008
CD04-33	Press ring	02-80/010
CD04-34	Dishing spring	02-80/009
CD04-35	3# gear shaft	02-80/004
CD04-36	Ball bearing	8629Z
CD04-37	Spring washer	!5
CD04-38	inner hexagonal round head bolt	M5x55
CD04-39	Water switch	02-80/043
CD04-40	Assistant handle cover	02-80/045
CD04-41	Spring washer	!5
CD04-42	Butterfly bolt	M5

Part No.	Description	Supply No.
CD04-43	Assistant handle	02-80/045
CD04-44	Inner hexagonal round head bolt	M5x40
CD04-45	Spring washer	!5
CD04-46	Rear cover	02-80/016
CD04-47	Rear cover jacket	02-80/024
CD04-48	Coil spring	02-80/028
CD04-49	Crossed slot bolt	M3x6
CD04-50	Electric brush	02-80/047
CD04-51	Brush holder base plate assy	02-80/025
CD04-52	Trademark	02-80/034
CD04-53	Name brand	02-80/033
CD04-54	Shell of drill	02-80/015
CD04-55	insulating shim	02-80/023
CD04-56	Stator insulating cover	02-80/022
CD04-57	Stator assembly	02-80/201
CD04-58	Inner hexagonal round head bolt	M4x102
CD04-59	Shield board	02-80/035
CD04-60	Ball bearing	186200R
CD04-61	Armature rear insulating cover	02-80/052
CD04-62	Armature assembly	02-80/101
CD04-63	Fan	02-80/112
CD04-64	Ball bearing	186201R
CD04-65	Oil sealing base shim	02-80/053
CD04-66	Sealing oil ring	02-80/037
CD04-67	Rear handle	02-80/018
CD04-68	Rear handle base	02-80/017
CD04-69	O-shape sealing ring	!30X2
CD04-70	Hexagonal nut	M4
CD04-71	Spring washer	!4
CD04-72	Crossed slot tapping bolt	ST3.8x19
CD04-73	Left handle cover	02-80/019
CD04-74	Switch	
CD04-75	Crossed slot tapping bolt	ST4.8x13
CD04-76	Level pole	02-80/051
CD04-77	Cable press board	02-80/029
CD04-78	Right handle cover	02-80/020
CD04-79	Handle pad	02-80/039
CD04-80	inner hexagonal round head bolt	M5x25
CD04-81	Lead & Plug	1.25mm x 3c
CD04-82	Jacket	02-80/031
CD04-83	Rear supporting cover	02-80/038
CD04-84	Soft starting circuit module	export use

CD04 STAND



CD04 STAND'S PART LIST

No.	Parts/Pièce	No.	Parts/Pièce
CD04-S01	CF-180-07/06	CD04-S27	CF-180-07/06
CD04-S02	CF-180-07/02	CD04-S28	CF-180-07/04
CD04-S03	M8	CD04-S29	M4X6
CD04-S04	M8X16	CD04-S30	CF-180-07/05
CD04-S05	CF-180-39	CD04-S31	M8X20
CD04-S06	CF-180-07	CD04-S32	8
CD04-S07	A10X8X10	CD04-S33	?8
CD04-S08	CF02-80/0-36	CD04-S34	M8X20
CD04-S09	M8X20	CD04-S35	M6X20
CD04-S10	10	CD04-S36	6
CD04-S11	CF-180-34	CD04-S37	M6X30
CD04-S12	CF-180-33	CD04-S38	CF-180-07/03
CD04-S13	CF-180-07/01	CD04-S39	CF-180-40/2
CD04-S14	6003ZZ	CD04-S40	JB/T7271-4
CD04-S15	17	CD04-S41	12
CD04-S16	CF-180-16	CD04-S42	M12X60
CD04-S17		CD04-S43	M12X75
CD04-S18	CF05-80-25	CD04-S44	M12
CD04-S19		CD04-S45	CF-180-38
CD04-S20	M4X16	CD04-S46	CF-180-28
CD04-S21	M4	CD04-S47	CF-180-36
CD04-S22	CF-180-27	CD04-S48	CF-180-37
CD04-S23	CF-180-40/1	CD04-S49	
CD04-S24	5X14	CD04-S50	CF-180-31
CD04-S25	M5X14	CD04-S51	
CD04-S26	CF-180-40/3	CD04-S52	