

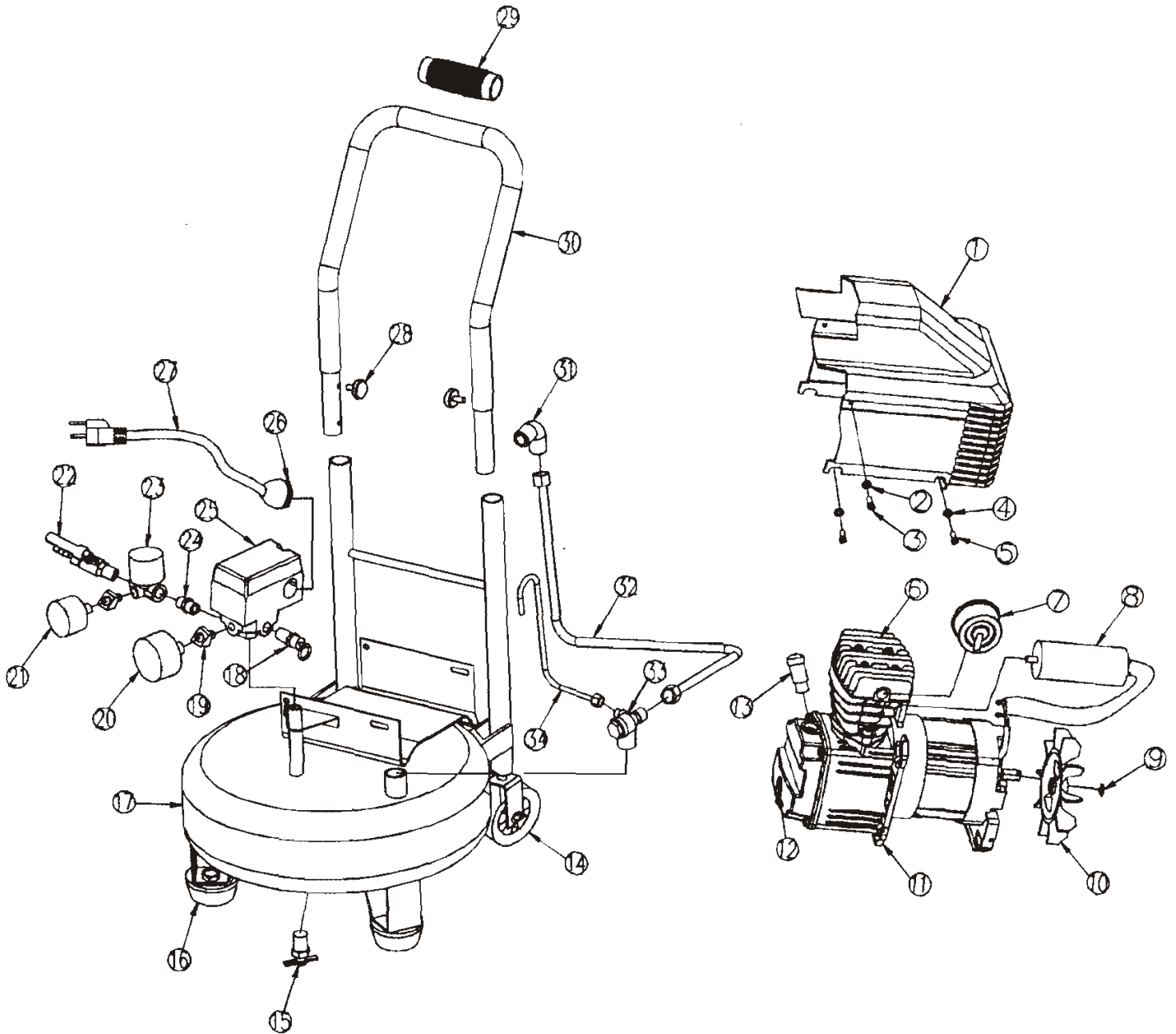
**Breakdown and Part list
ch ma et le liste de pi ce**

AC02-4P

**Tel.: 1-877-405-2626, Fax: 1-877-405-8686
web site: www.cm-equip.com
e-mail: info@cm-equip.com**

For other breakdowns and part lists, please visit our web site: www.cm-equip.com.

AC02-4P



Part NO.	Description	QTY	Part No.	Description	QTY
AC02-4P-01	Shroud	1	AC02-4P-18	Safety valve	1
AC02-4P-02	Washer	2	AC02-4P-19	Bolt	2
AC02-4P-03	Screw M5X10	2	AC02-4P-20	Tank pressure gauge	1
AC02-4P-04	Washer	4	AC02-4P-21	Regulated pressure gauge	1
AC02-4P-05	Screw M5X14	4	AC02-4P-22	Air release valve	1
AC02-4P-06	Valve plate assembly	1	AC02-4P-23	Pressure regulator	1
AC02-4P-07	Intake filter	1	AC02-4P-24	Bolt	1
AC02-4P-08	Capacitor	1	AC02-4P-25	Pressure switch	1
AC02-4P-09	Check ring(for axis)	1	AC02-4P-26	Plastic fixed nut	2
AC02-4P-10	Fan	1	AC02-4P-27	Power cord	1
AC02-4P-11	Pump/motor assembly	1	AC02-4P-28	Thumb screw M6X10	2
AC02-4P-12	Oil level sight glass	1	AC02-4P-29	Handle cover	1
AC02-4P-13	Oil fill plug	1	AC02-4P-30	Handle	1
AC02-4P-14	Wheel kit	2	AC02-4P-31	Elbow	1
AC02-4P-15	Drain valve	1	AC02-4P-32	Hose assembly	1
AC02-4P-16	Pad kit	3	AC02-4P-33	Check valve	1
AC02-4P-17	Tank assembly	1	AC02-4P-34	Hose assembly	1